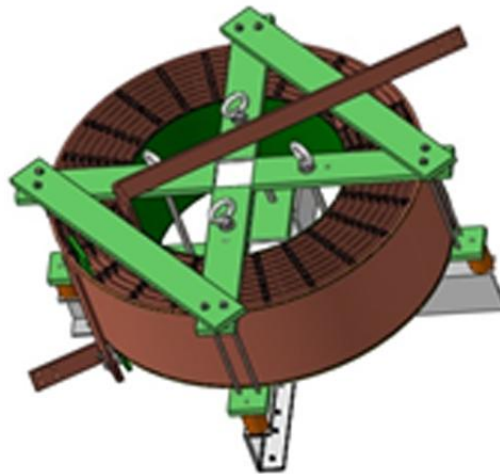




GREEN TRAF0 PRODUCTS

CURRENT LIMITING REACTOR

Construction consists of three one-phase air reactors which may be assembled into a three-phase unit with possible vertical or horizontal installation. Assembling into a three-phase unit can be done in Green Trafo or at the place of installation.



General technical characteristics:

- Rated Voltage (kV): **6, 10, 20**
- Rated Current (one-phase) (A): **up to 2000**
- Montage three-phase: **vertical or horizontal**
- Temperature class: **F (155)**
- Standard: **IEC 60076-6**

- Highest voltage level of equipment (kV): **7.2, 12, 24**
- Connection: **III (three single-phase units)**
- Cooling: **AN**
- Frequency (Hz): **50**

The above technical characteristics can be adjusted to the particular customer's needs.



Current Limiting Reactor (PKS 10 90 400 5)



Current Limiting Reactor (PKS 2000-0,58)

CURRENT LIMITING REACTOR - TECHNICAL DATA

Manufacturer		GREEN TRAF0, Belgrade	
Reactor type		DRY class (F 155)	
Montage		Vertical	Horizontal
Standard		IEC EN 60076-6	
Label		PKS 10 90 400 5	PKS 2000-0,58
1	Number of phases	3	
2	Rated frequency [Hz]	50	
3	Highest voltage level of equipment [kV]	12	7,2
4	Rated insulating level [kV]	LI 75 AC 28	LI 60 AC 20
5	Rated voltage [kV]	10	6
6	Inductance per phase mH	90	0.58
7	Active resistance per phase ohm	1.72	0.182
8	Thermal short-circuit current A	204	21
9	Peak value of short-circuit current A	531	55
10	Thermal endurance of current A,sec	400A max 7.7sec	21A max 1sec
11	Rated current A	20	2000
Temperature rises, installation			
12	Maximal ambient temperature [C]	40	
13	Maximal temp. rise of conductor [K]	100	
14	Mechanical protection	IP 00	
15	Thermal class of insulation	F (155°C)	
16	Type of cooling	ONAN	
17	Place of installation	Indoor	
Maximal dimensions and masses			
18	Maximal dim. of the Reactor:	Three phases together	One of three phases
	a) length [mm]	550	1360
	b) wide [mm]	550	1360
	c) height [mm]	1650	960
19	Approx. mass of the total [kg]	240	750

